

UPVC CARTRIDGE FILTER HOUSINGS



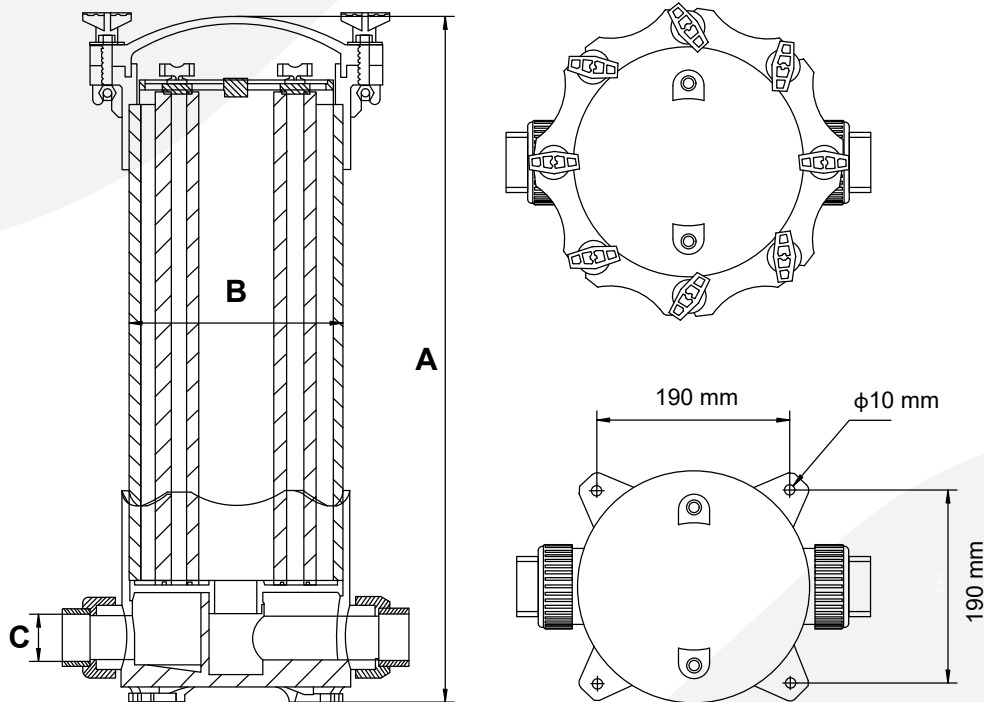
EDITION FOR
ABCO CATALOG



UPVC CARTRIDGE FILTER HOUSING

for 5 elements

- UPVC material has stronger corrosion resistance, Can be widely used in food, industry acid base salt solution, cooling tower circulating filtration and ultrafiltration membrane which stainless steel can not be replaced.
- The water will be evenly distributed from bottom to top, small strike to cartridges, exhaust valve on the top of the filter in order to discharge the air from the filter.
- The highest working temperature is 45°C, The size of the two holes in the lid of the filter is G1/4", If the thread of the pressure gauge is metric standard, an adaptor should be added.
- Unlike the traditional assembling, The filter has PP cotton filter positioning so that the cartridge no need to be adjusted after lid.



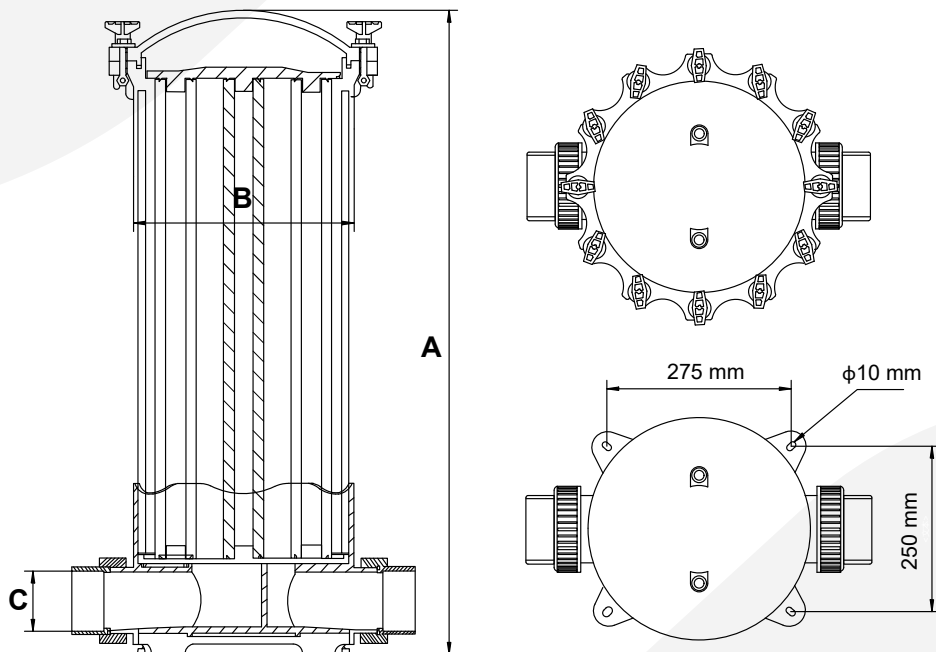
▼ UPVC cartridge filter housing for 5 elements

Model	DIMENSIONS (mm)			Filter dimensions	Maximum working pressure	Material
	A	B	C			
SWUPVC5-10	455	225	48.5 / 50	10"	0.6 MPA	UPVC
SWUPVC5-20	710	225	48.5 / 50	20"	0.6 MPA	UPVC
SWUPVC5-30	965	225	48.5 / 50	30"	0.6 MPA	UPVC
SWUPVC5-40	1220	225	48.5 / 50	40"	0.6 MPA	UPVC

UPVC CARTRIDGE FILTER HOUSING

for 9 elements

- UPVC material has stronger corrosion resistance, Can be widely used in food, industry acid base salt solution, cooling tower circulating filtration and ultrafiltration membrane which stainless steel can not be replaced.
- The water will be evenly distributed from bottom to top, small strike to cartridges, exhaust valve on the top of the filter in order to discharge the air from the filter.
- The highest working temperature is 45°C, The size of the two holes in the lid of the filter is G1/4", If the thread of the pressure gauge is metric standard, an adaptor should be added.
- Unlike the traditional assembling, The filter has PP cotton filter positioning so that the cartridge no need to be adjusted after lid.



▼ UPVC cartridge filter housing for 9 elements

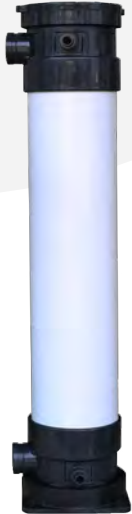
Model	DIMENSIONS (mm)			Filter dimensions	Maximum working pressure	Material
	A	B	C			
SWUPVC9-10	505	315	88.9 / 90	10"	0.6 MPA	UPVC
SWUPVC9-20	760	315	88.9 / 90	20"	0.6 MPA	UPVC
SWUPVC9-30	1000	315	88.9 / 90	30"	0.6 MPA	UPVC
SWUPVC9-40	1270	315	88.9 / 90	40"	0.6 MPA	UPVC

SNOWATE UPVC HIGH FLOW FILTER

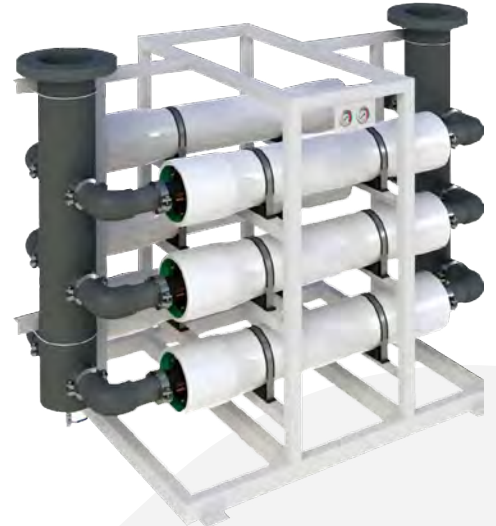
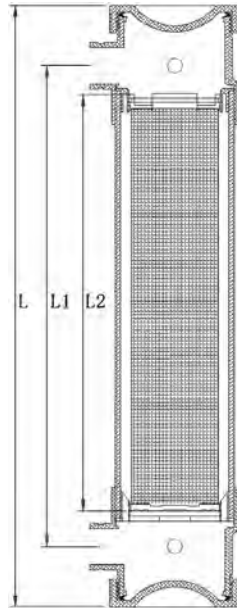
- General Application: pretreatment of RO Filtration, all kinds of water purification
- General Industry: various liquids, condensed water, cooling water, waste water treatment, etc
- Food and Beverage: various liquids
- Petrochemical Industry: various solvents, chilled water, saline water
- Power Plant: Supplementary water, condensation water, cooling water
- Single cartridge can achieve max flow rate of 130 m³/h
- Filtration system can be installed vertically or horizontal ly to save the space
- Good acid and alkaline resistance with UPVC or FRP housing
- Much larger filtering area and flow than other kinds of filter cartridge
- Bilateral V-type rubber rings make it easy to change the cartridge, good seal ing performance can effectively avoid leak.



inlet and outlet 0°



inlet and outlet 180°



REMARK: The inlet and outlet are connected by DN80 couplings.
 Customers can choose the filter cartridge and UPVC housing based on the liquid quality, flow rate and micron.
 The Max Working Pressure of UPVC housing is 0.7MPA.

Item No.	Filter Cartridge Length (L2)	Length Between Two Ends (L)	Center Distance of Outlet (L1)	Micron um	Design flow rate 5um
SWUPVCD10	280 mm	640 mm	415 mm	0.1 μm	7.5 m ³ /h
SWUPVCD20	530 mm	890 mm	665 mm	1 μm	15 m ³ /h
SWUPVCD30	773 mm	1135 mm	910 mm	5 μm	22.5 m ³ /h
SWUPVCD40	1040 mm	1400 mm	1175 mm	10 μm	30 m ³ /h
				15 μm	
				20 μm	
				50 μm	



Company: Abco
CEO: Ali Soltani

Address: Iran, Alborz, Mehrshahr, Payam Special Economic Zone, Payam Special Economic Zone, Babaei Boulevard, 6th Street of Abco Company

Phone/WhatsApp: +98 912 131 3433

Email: abco.asia1@gmail.com

Web: www.abco.asia

Abco-Manufacturer of water and sewage treatment devices