

# SOLENOID VALVE



2022

EDITION FOR  
ABCO CATALOG





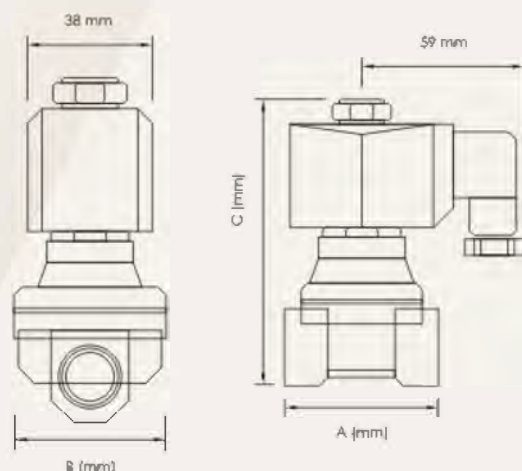
## 电磁阀系列 Solenoid Valve series

- 密封件可采用NBR /EPDM /VITON 材料以适用于不同流体的开关控制。
- 选型时请在不锈钢电磁阀型号前加注“S”,如“SPU-50”。
- NBR / EPDM /VITON can be used for Sealing material to fit different liquid On/Off control.
- Please add“S” for stainless valve body front when ordering,like“SPU-50”。

## PU 直动式电磁阀

### DIRECT-ACTING SOLENOID VALVE

型号 MODEL	接口 PORT	压力 PRESSURE	阀体材料 BODY MATERIAL	A×B×C
PU-03	1/4"	0-10/kgf/cm <sup>2</sup>	铜/不锈钢/Copper Stainless	40 × 26 × 65
PU-10	3/8"	0-10/kgf/cm <sup>2</sup>	铜/不锈钢/Copper Stainless	65 × 47 × 93
PU-15	1/2"	0-10/kgf/cm <sup>2</sup>	铜/不锈钢/Copper Stainless	65 × 47 × 93
PU-20	3/4"	0-10/kgf/cm <sup>2</sup>	铜/不锈钢/Copper Stainless	72 × 45 × 100
PU-25	1"	0-10/kgf/cm <sup>2</sup>	铜/不锈钢/Copper Stainless	90 × 70 × 108
PU-35	1 1/4"	0-10/kgf/cm <sup>2</sup>	铜/不锈钢/Copper Stainless	120 × 90 × 131
PU-40	1 1/2"	0-10/kgf/cm <sup>2</sup>	铜/不锈钢/Copper Stainless	120 × 90 × 131
PU-50	2"	0-10/kgf/cm <sup>2</sup>	铜/不锈钢/Copper Stainless	150 × 112 × 146



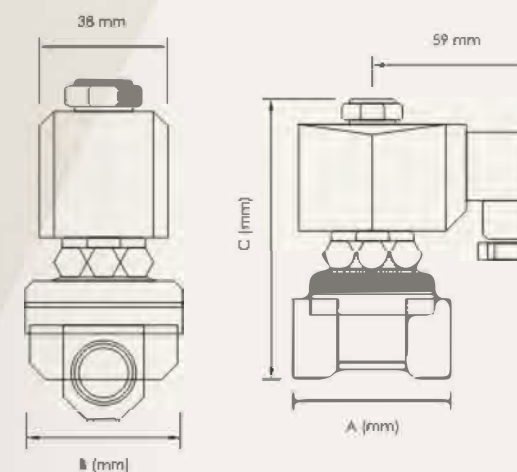
- 密封件可采用NBR /EPDM /VITON 材料以适用于不同流体的开关控制。
- 选型时请在不锈钢电磁阀型号前加注“S”,如“SPU-50”。
- NBR / EPDM /VITON can be Scd for Sealing material to fit different liquid On/Off control.
- Please add“S” for stainless valve body front when ordering,like“SPU-50”.



## PU-K 直动式常开电磁阀

### DIRECT-ACTING NORMALLY OPENED SOLENOID VALVE

型号 MODEL	接口 PORT	压力 PRESSURE	阀体材料 BODY MATERIAL	A×B×C
PU-03K	1/4"	0-5/kgf/cm <sup>2</sup>	铜/不锈钢/Copper Stainless	42 × 26 × 85
PU-10K	3/8"	0-5/kgf/cm <sup>2</sup>	铜/不锈钢/Copper Stainless	65 × 47 × 116
PU-15K	1/2"	0-5/kgf/cm <sup>2</sup>	铜/不锈钢/Copper Stainless	65 × 47 × 116
PU-20K	3/4"	0-5/kgf/cm <sup>2</sup>	铜/不锈钢/Copper Stainless	72 × 54 × 123
PU-25K	1"	0-5/kgf/cm <sup>2</sup>	铜/不锈钢/Copper Stainless	90 × 70 × 131
PU-35K	1 1/4"	0-5/kgf/cm <sup>2</sup>	铜/不锈钢/Copper Stainless	120 × 90 × 175
PU-40K	1 1/2"	0-5/kgf/cm <sup>2</sup>	铜/不锈钢/Copper Stainless	120 × 90 × 175
PU-50K	2"	0-5/kgf/cm <sup>2</sup>	铜/不锈钢/Copper Stainless	150 × 112 × 190

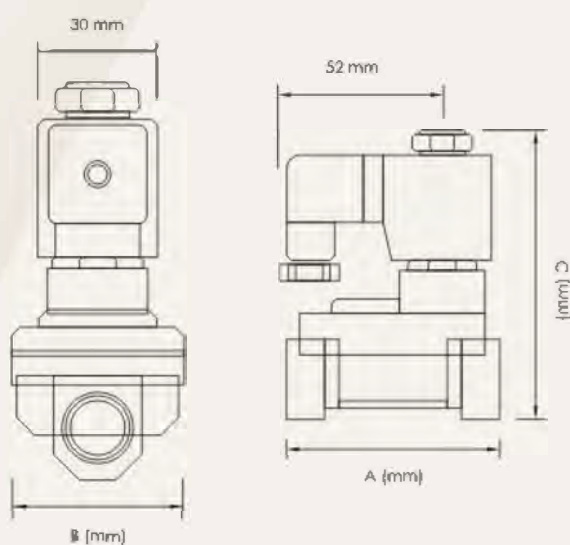


- 密封件可采用NBR /EPDM /VITON 材料以适用于不同流体的开关控制。
- 选型时请在不锈钢电磁阀型号前加注“S”,如“SPU-50K”。
- NBR / EPDM /VITON can be Scd for Sealing material to fit different liquid On/Off control.
- Please add“S” for stainless valve body front when ordering,like“SPU-50K”.



## PX 先导式电磁阀 PILOT SOLENOID VALVE

型号 MODEL	接口 PORT	压力 PRESSURE	阀体材料 BODY MATERIAL	A×B×C
PX-03	1/4"	0-16/kgf/cm <sup>2</sup>	铜/不锈钢/Copper Stainless	40 × 26 × 80
PX-10	3/8"	0.5-16/kgf/cm <sup>2</sup>	铜/不锈钢/Copper Stainless	68 × 49 × 107
PX-15	1/2"	0.5-16/kgf/cm <sup>2</sup>	铜/不锈钢/Copper Stainless	68 × 49 × 107
PX-20	3/4"	0.5-16/kgf/cm <sup>2</sup>	铜/不锈钢/Copper Stainless	76 × 57 × 114
PX-25	1"	0.5-16/kgf/cm <sup>2</sup>	铜/不锈钢/Copper Stainless	96 × 70 × 122
PX-32	1 1/4"	0.5-16/kgf/cm <sup>2</sup>	铜/不锈钢/Copper Stainless	120 × 90 × 141
PX-40	1 1/2"	0.5-16/kgf/cm <sup>2</sup>	铜/不锈钢/Copper Stainless	120 × 90 × 141
PX-50	2"	0.5-16/kgf/cm <sup>2</sup>	铜/不锈钢/Copper Stainless	150 × 112 × 158

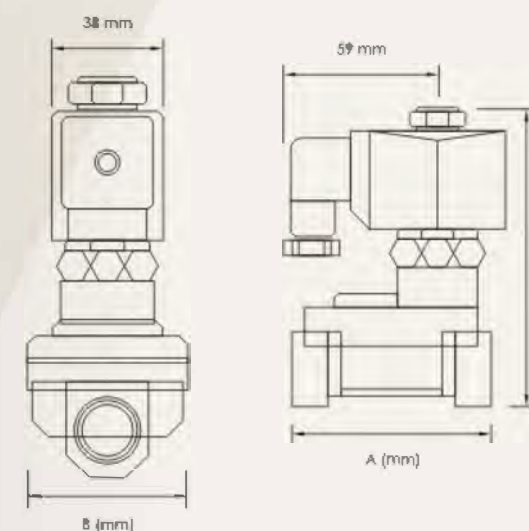


- 密封件可采用NIBR /EPDM /VITON 材料以适用于不同流体的开关控制。
- 选型时请在不锈钢电磁阀型号前加注"S",如"SPX-50".
- NBR / EPDM /VITON can be Scd for Sealing material to fit different liquid On/Off control.
- Please add"S" for stainless valve body front when ordering,like"SPX-50".



## PX-K 先导式常开电磁阀 PILOT NORMALLY OPENED SOLENOID VALVE

型号 MODEL	接口 PORT	压力 PRESSURE	阀体材料 BODY MATERIAL	A×B×C
PX-03K	1/4"	0-10/kgf/cm <sup>2</sup>	铜/不锈钢/Copper Stainless	42 × 26 × 85
PX-10K	3/8"	0.5-8/kgf/cm <sup>2</sup>	铜/不锈钢/Copper Stainless	68 × 49 × 118
PX-15K	1/2"	0.5-8/kgf/cm <sup>2</sup>	铜/不锈钢/Copper Stainless	68 × 49 × 118
PX-20K	3/4"	0.5-8/kgf/cm <sup>2</sup>	铜/不锈钢/Copper Stainless	76 × 57 × 125
PX-25K	1"	0.5-8/kgf/cm <sup>2</sup>	铜/不锈钢/Copper Stainless	96 × 70 × 133
PX-35K	1 1/4"	0.5-8/kgf/cm <sup>2</sup>	铜/不锈钢/Copper Stainless	120 × 70 × 133
PX-40K	1 1/2"	0.5-8/kgf/cm <sup>2</sup>	铜/不锈钢/Copper Stainless	120 × 70 × 133
PX-50K	2"	0.5-8/kgf/cm <sup>2</sup>	铜/不锈钢/Copper Stainless	150 × 112 × 169



- 密封件可采用NIBR /EPDM /VITON 材料以适用于不同流体的开关控制。
- 选型时请在不锈钢电磁阀型号前加注"S",如"SPX-50K".
- NBR / EPDM /VITON can be Scd for Sealing material to fit different liquid On/Off control.
- Please add"S" for stainless valve body front when ordering,like"SPX-50K".





Company: Abco  
CEO: Ali Soltani

Address: Iran, Alborz, Mehrshahr, Payam Special Economic Zone, Payam Special Economic Zone, Babaei Boulevard, 6th Street of Abco Company

Phone/WhatsApp: +98 912 131 3433

Email: [abco.asia1@gmail.com](mailto:abco.asia1@gmail.com)

Web: [www.abco.asia](http://www.abco.asia)

---

Abco-Manufacturer of water and sewage treatment devices